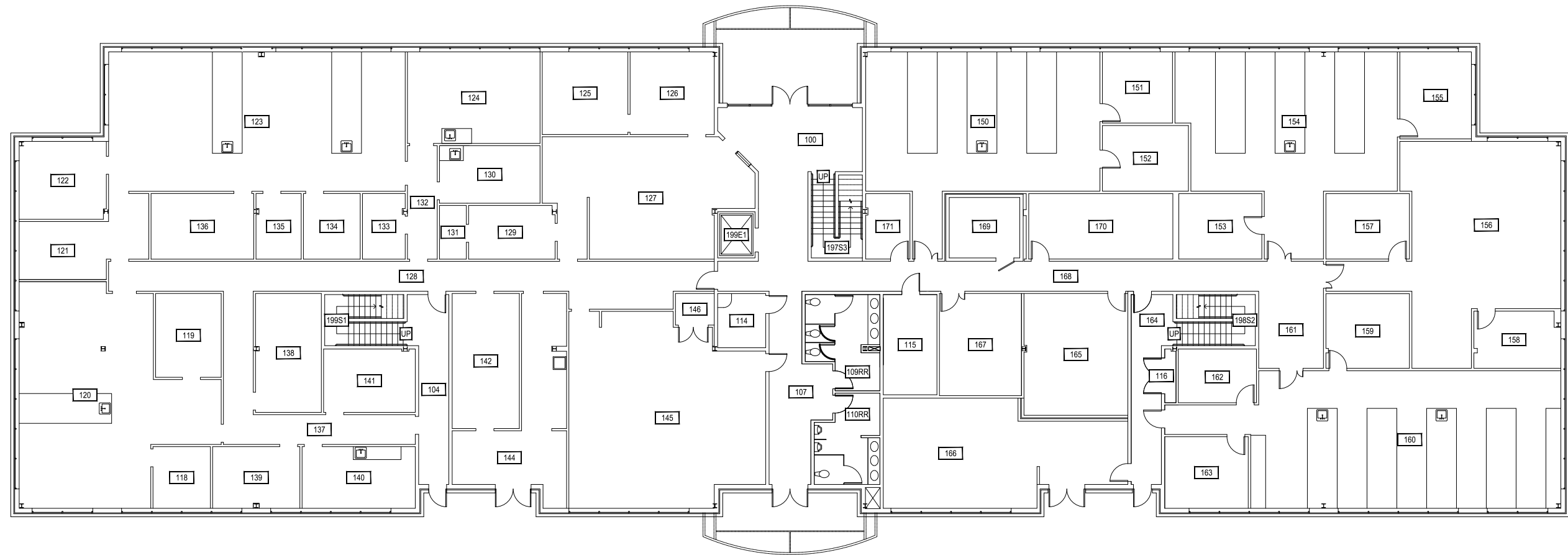


Jan 15, 2015 - 1:11pm - 904_A1.dwg
H:\Molecular Biosciences Building\Building Plan - Book Copy\



1

MOLECULAR BIOSCIENCES BUILDING - FIRST LEVEL

SCALE: 1" = 20'



M MONTANA
STATE UNIVERSITY
CAMPUS PLANNING,
DESIGN & CONSTRUCTION
BOZEMAN, MONTANA
PHONE: 406.994.5413 FAX: 406.994.5665

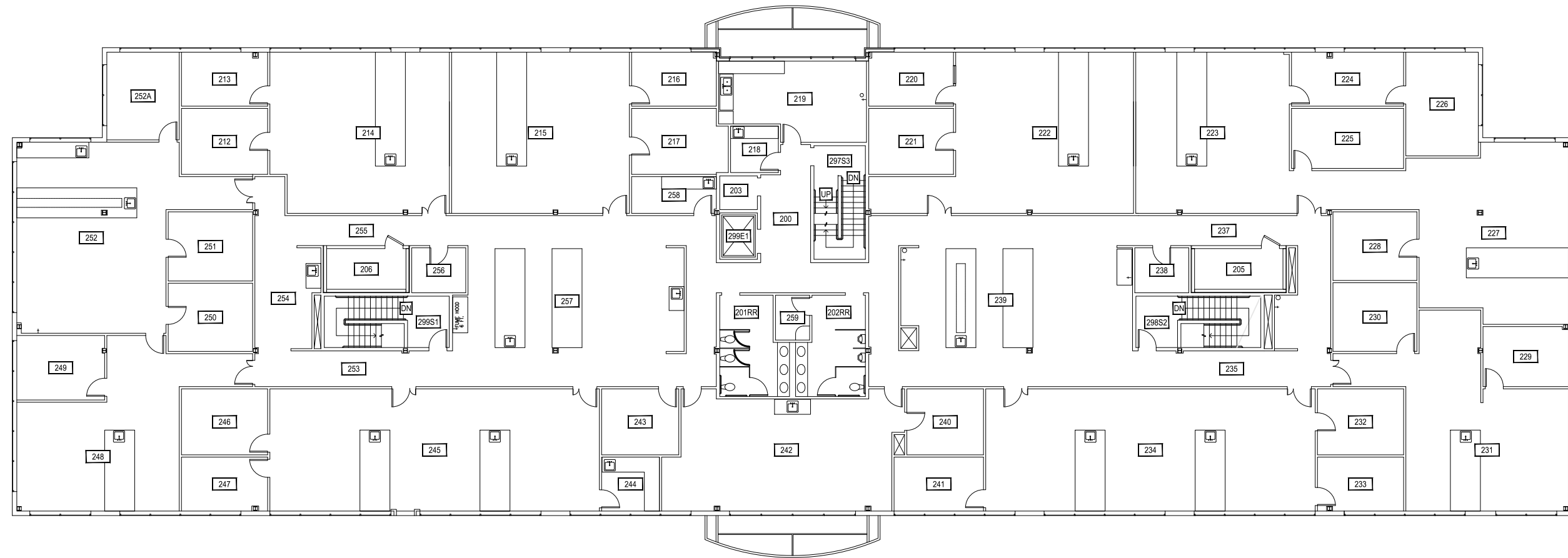
INDEX #

80

BUILDING #

904

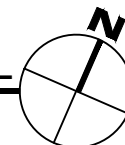
Jan 15, 2015 - 1:10pm - 904_A2.dwg
H:\Molecular Biosciences Building\Building Plan - Book Copy\



1

MOLECULAR BIOSCIENCES BUILDING - SECOND LEVEL

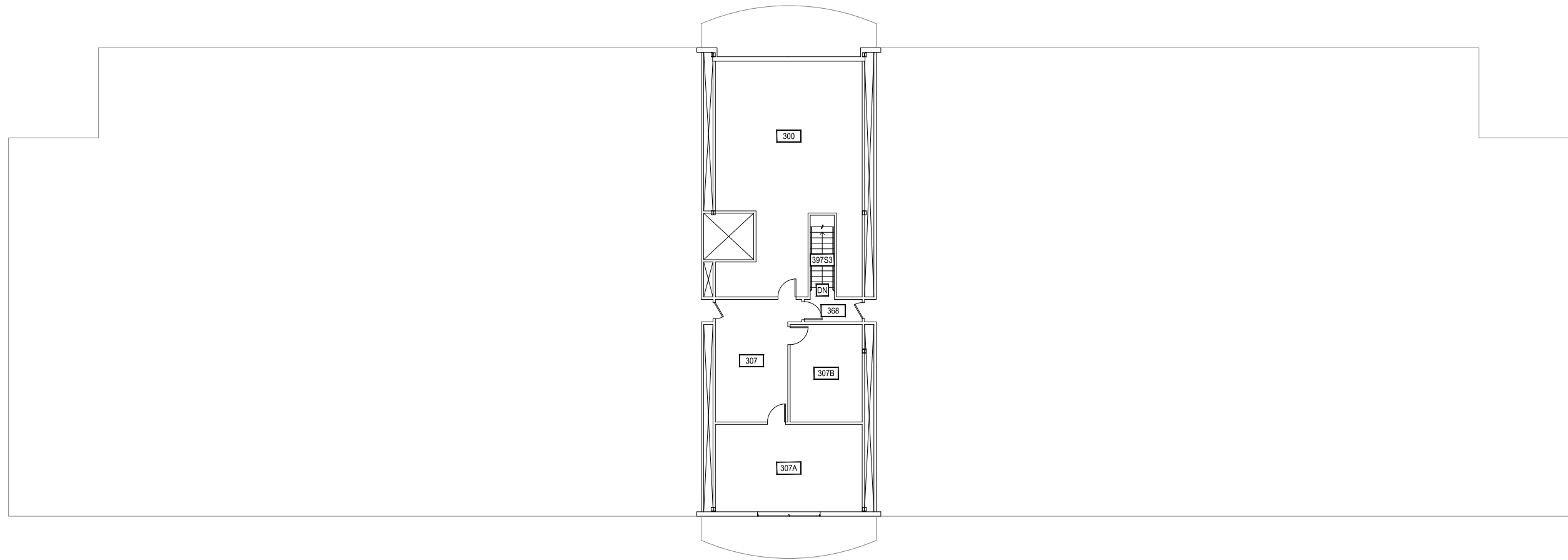
SCALE: 1" = 20'



M MONTANA
STATE UNIVERSITY
CAMPUS PLANNING,
DESIGN & CONSTRUCTION
BOZEMAN, MONTANA
PHONE: 406.994.5413 FAX: 406.994.5665

INDEX #
80
BUILDING #
904

Jan 15, 2015 - 1:11pm - 904_A3.dwg
H:\Molecular Biosciences Building\Building Plan - Book Copy\



1

MOLECULAR BIOSCIENCES BUILDING - THIRD LEVEL

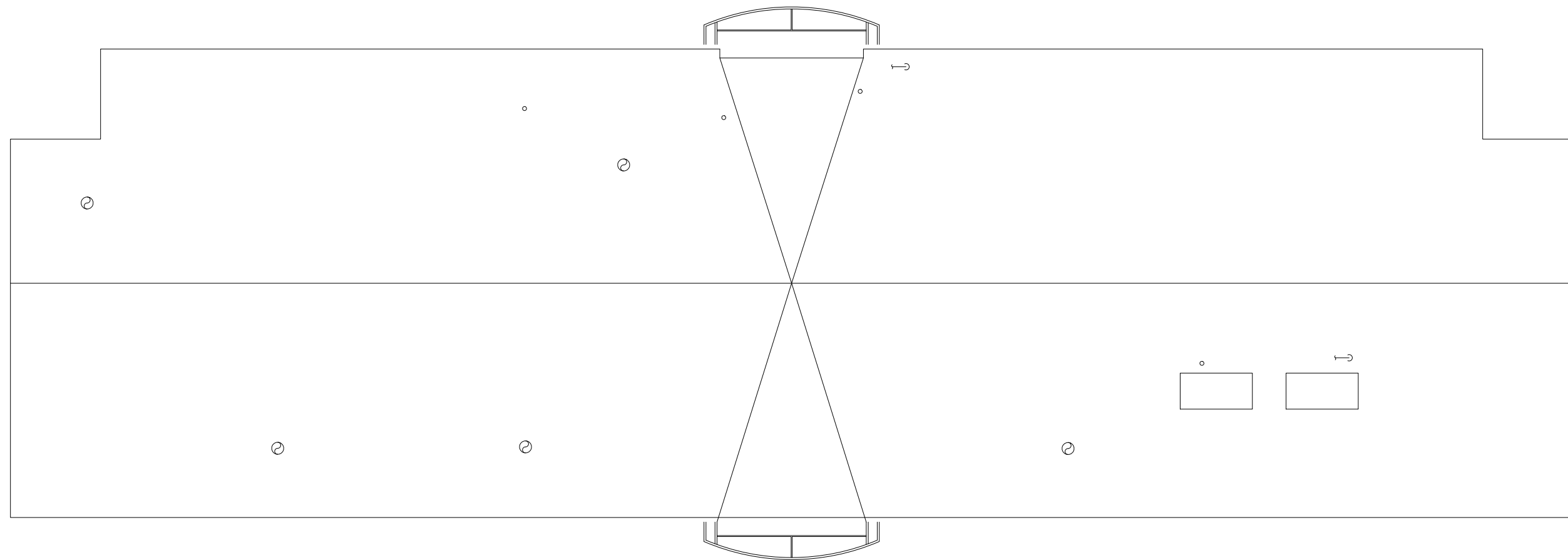
SCALE: 1" = 20'



M MONTANA
STATE UNIVERSITY
CAMPUS PLANNING,
DESIGN & CONSTRUCTION
BOZEMAN, MONTANA
PHONE: 406.994.5413 FAX: 406.994.5665

INDEX #	80
BUILDING #	904

Jan 15, 2015 - 1:11pm - 904_AR.dwg
H:\Molecular Biosciences Building\Building Plan - Book Copy\



1

MOLECULAR BIOSCIENCES BUILDING - ROOF LEVEL

SCALE: 1" = 20'



M MONTANA
STATE UNIVERSITY
CAMPUS PLANNING,
DESIGN & CONSTRUCTION
BOZEMAN, MONTANA
PHONE: 406.994.5413 FAX: 406.994.5665

INDEX #
80
BUILDING #
904