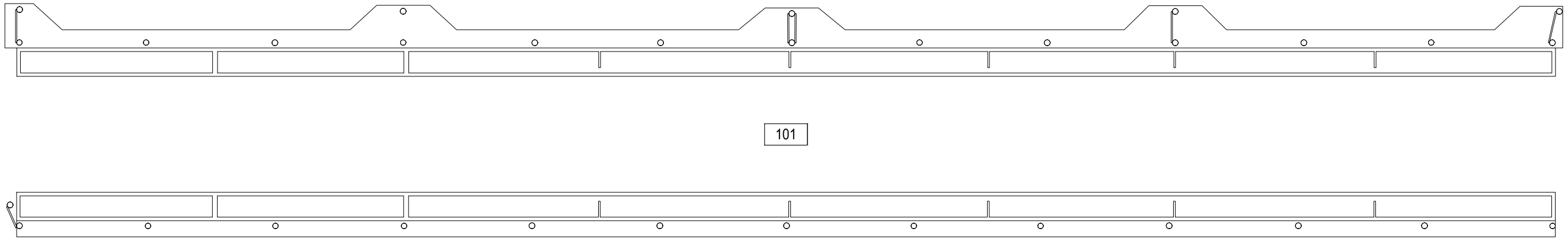


Jul 31, 2012 - 11:50am - 466-A1.dwg  
C:\Users\granger\appdata\local\temp\acPublish\_5732\



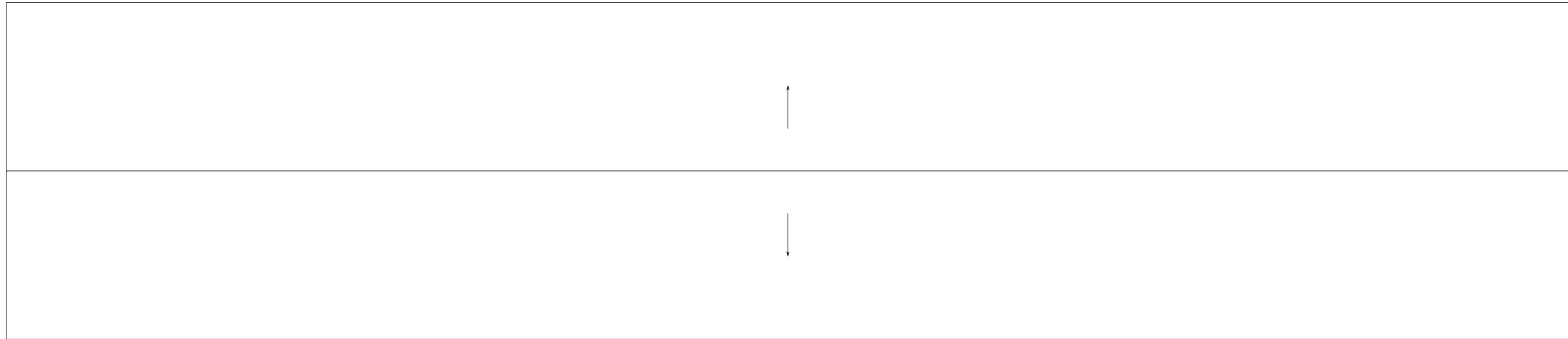
**1** FEED LOT POLE BARN - FIRST LEVEL  
SCALE: 3/32" = 1'



**M** MONTANA  
STATE UNIVERSITY  
FACILITIES PLANNING,  
DESIGN & CONSTRUCTION  
BOZEMAN, MONTANA  
PHONE: 406.994.4131 FAX: 406.994.6572

INDEX #	<b>116</b>
BUILDING #	<b>466</b>

Jul 31, 2012 - 11:50am - 466-AR.dwg  
E:\Feed Lot Pole Barn\Bldg Plan Book\



1

FEED LOT POLE BARN - ROOF LEVEL

SCALE: 3/32" = 1'



**M** MONTANA  
STATE UNIVERSITY  
FACILITIES PLANNING,  
DESIGN & CONSTRUCTION  
BOZEMAN, MONTANA  
PHONE: 406.994.4131 FAX: 406.994.6572

INDEX #  
**116**  
BUILDING #  
**466**